



OPTO-EDU A33.1550 Laboratory Biological 11.6" LCD 8.0M Digital Microscope HDMI USB3.0 WIFI Output

Our Product Introduction

Basic Information

- Place of Origin: China
- Brand Name: CNOEC, OPTO-EDU
- Certification: CE, Rohs
- Model Number: A33.5110
- Minimum Order Quantity: 1 pc
- Price: FOB \$1~1000, Depend on Order Quantity
- Packaging Details: Carton Packing, For Export Transportation
- Delivery Time: 5~20 Days
- Payment Terms: T/T, West Union, Paypal
- Supply Ability: 5000 pcs/ Month

OPTO-EDU



Product Specification

- Highlight: **11.6 LCD digital microscope HDMI, biological digital microscope USB3.0, laboratory microscope WIFI output**

for more products please visit us on cnoec.com

Product Description

OPTO-EDU A33.1550 Laboratory Biological 11.6" LCD 8.0M Digital Microscope



OPTO-EDU (BEIJING) CO., LTD.

OPTO-EDU

F-1501 Wanda Plaza, No.18 Shijingshan Road, Beijing 100043, China
Tel:+8610 88696020 Fax:+8610 88696085

A33.1550

11.6" LCD Digital Microscope, 8.0M, Mouse Control,
HDMI+USB3.0+WIFI

NEW
PRODUCT



A33.1550 = A12.1502-AT + A59.3550

OPTO-EDU



The A33.1550 Digital Microscope Imaging System integrates a professional trinocular laboratory microscope (A11.1502-AT) with an 11.6-inch

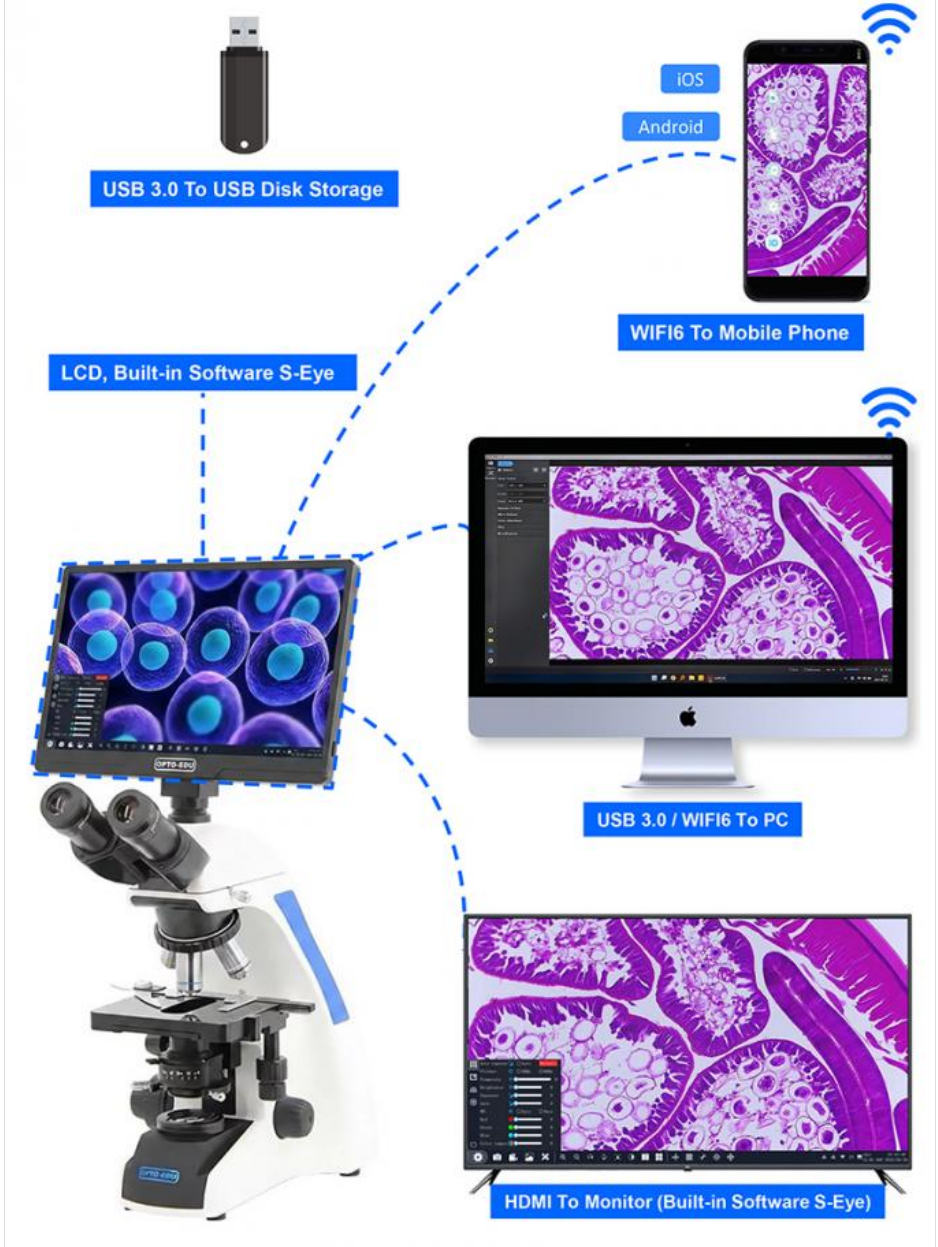
high-definition digital camera display (A59.3550). The microscope features an Achromatic HC (High Contrast) optical system for sharp, clear imaging, and is equipped with a spacious 143×132mm working stage for easy handling of larger specimens. Widely suitable for professional applications in scientific research, university teaching, industrial quality inspection, and biomedical analysis.



The 8.0M digital camera module supports real-time HD preview and image/video capture on the 11.6-inch LCD screen. The system comes standard with HDMI, USB 3.0, and Wi-Fi wireless transmission interfaces, supporting LAN sharing and multi-device connectivity for easy remote observation, teaching demonstrations, experiment archiving, and digital report generation.

A59.3550 Output

OPTO-EDU





Head & Eyepiece

Inclined 30°, Interpupillary 48-75mm, 360°
Rotatable, WF10x/20mm



Objective

Backward Quadruple Nosepiece
High Contrast Chromatic Free
4x, 10x, 40x(S), 100x(Oil, S)



Mechanical Stage

Double Layer Working Stage With Slide Holder,
Size 142x132mm, Graphite Surface, Moving
Range 75x50mm



Condenser

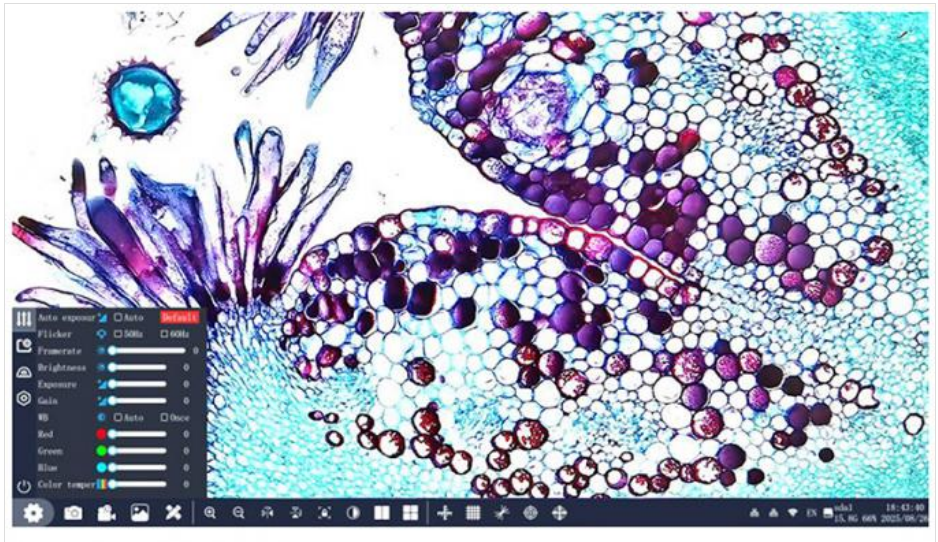
Using High-power LED Light Source,
Equipped With Double Lens + Abbe
Condenser Design, The Light Source
Is Both Focused And Symmetrical



LCD / HDMI Output with Built-in Software S-Eye

Move the mouse to the bottom of screen to access the main menu. The A59.3550 Built-in Software S-Eye enables photo and video capture, storage, calibration, measurement, marking, and analysis. Users can adjust brightness, contrast, exposure, white balance, and more for optimal imaging.

Compatible with PC ImageView software, it supports EDF (Extended Depth of Focus) and image stitching for enhanced detail and panoramic views. Additionally, built-in Wi-Fi allows seamless integration into digital interactive classrooms, supporting simultaneous connections for up to 60 microscopes and cameras—ideal for collaborative education and real-time sharing in academic or professional settings.



USB 3.0 / WIFI6 to PC (Software S-Eye)

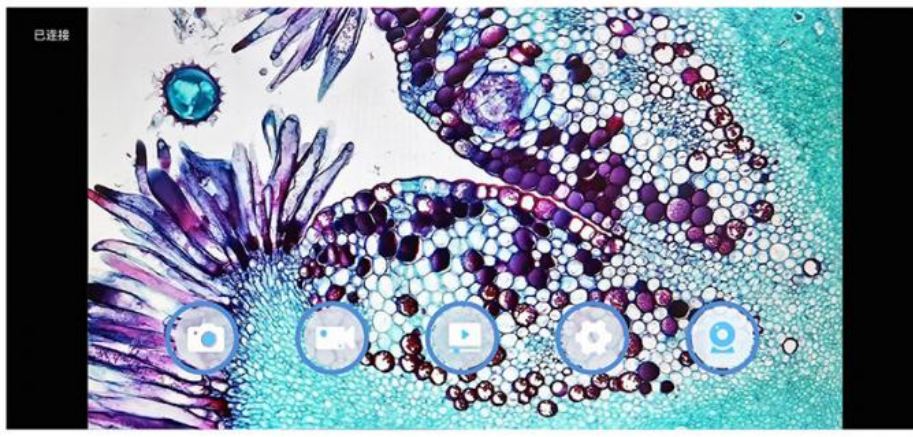
Connect camera to computer with installed S-Eye software for real-time micro image output to PC. Provides similar settings and functions as built-in S-Eye software for easy computer-based work.



WIFI6 to Mobile Phone (S-Eye App)

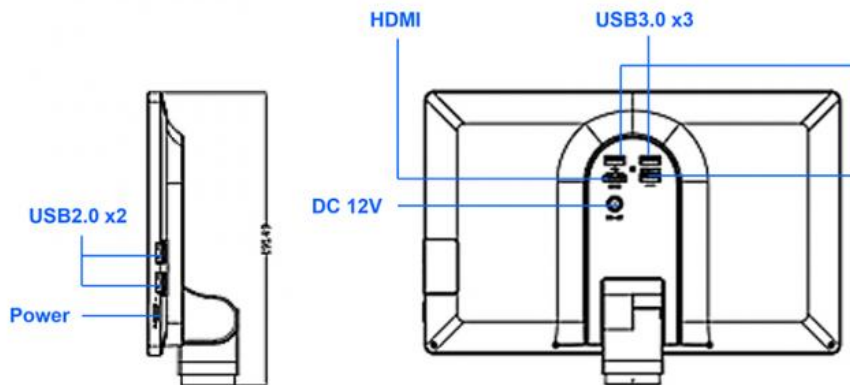
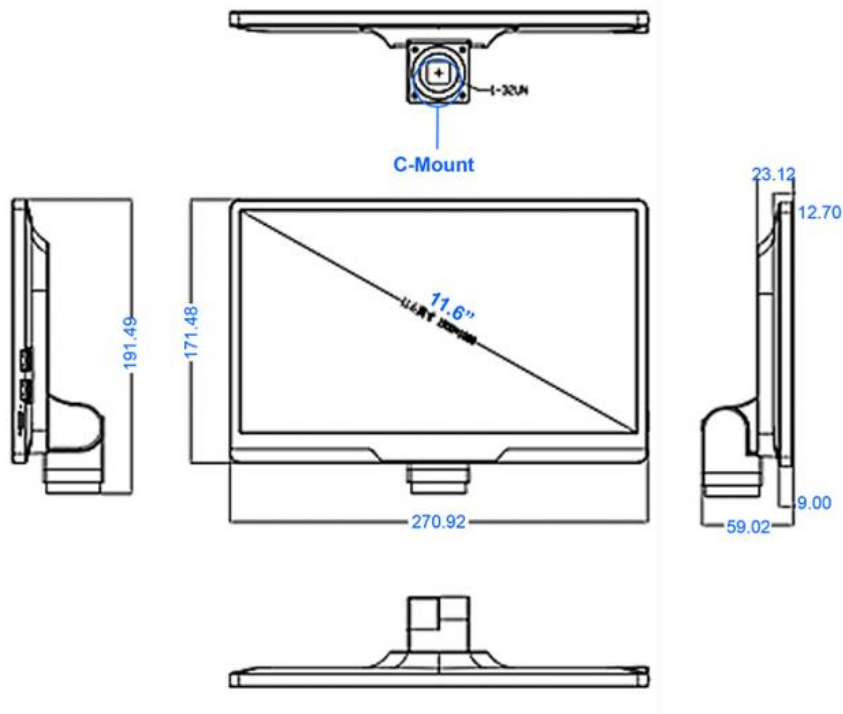
The mobile device searches for the camera's WIFI signal and connects to the camera's WIFI. Open the S-EYE2.0 APP on your cell phone for mobile viewing and control.





A59.3550 Size(Unit: mm) & System Diagram

OPTO-EDU



A33.1550 Specification

OPTO-EDU

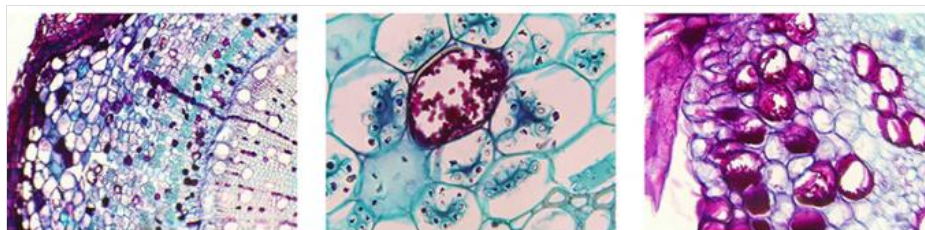
Technical Specifications

A33.1550 11.6" LCD Digital Biological Microscope

Head	Trinocular Head, 30° Inclined, Interpupillary Distance 48-75mm, Both Eyepiece Tube Diopter Adjustable
Eyepiece	WF10x/20mm, Diopter Adjustable, Dia. 30mm
Objective	High Contrast Chromatic Free: 4x, 10x, 40x(S), 100x(Oil, S)
Focus Knob	Coaxial Coarse & Fine Focusing, Fine Division 0.002mm, Coarse Stroke 37.7mm/Rotation, Focusing Range 24mm
Nosepiece	Quadruple, Backward With Click Stops
Stage	Double Layer Mechanical Stage 142x132mm, Graphite Surface, Moving Range 75x50mm
Condenser	Abbe Condenser N.A.1.25, Center Adjustable
Light Source	3W LED Brightness Adjustable
Adapter	C-Mount 0.5x
Package	53*32.5*53.5cm/11.5Kg, 1 Set/Carton

A59.3550 11.6" LCD Digital Camera, 8.0M, HDMI+USB3.0+WIFI

LCD Screen	11.6" LCD, Resolution 1920x1080p High Clearance Screen, Brightness 220cd/
Camera	8.0M, 4K Digital Camera
Sensor	1/1.8" IMX334 CMOS Sensor
Resolution	3840*2160 Pixels@60 fps Preview, Photo 16M, Video 1920x1080p
Pixel Size	2.0x2.0um
CPU	ARM Cortex A55@1.4GHz
Memory	4GB LPDDR4
Digital Zoom	10x
Control	USB Mouse + Keyboard Control For Built-in Software, No Need Computer
Data Interface	USB3.0 x3, USB2.0 x2, HDMI x1, WIFI
Microscope Interface	Standard C-Mount
Output	LCD, Built-in Software S-Eye, HDMI To Monitor, USB 3.0 To PC, USB 3.0 To USB Disk Storage, WIFI6 To PC, WIFI6 To Mobile Phone
Software Function	Photo, Video Capture & Store, Calibration, All Kinds Measure, Mark, Analysis Function, Set Brightness, Contrast, Exposure, White Balance, PC Software ImageView Support EDF & Stitching Function, WIFI Output Support Digital Interactive Classroom Up To 60 Microscope & Cameras
Language	CN, EN, DE, FR, JP, IT, RU And Support Customized
Power Supply	DC 12V/2A Power Adapter, Input 100-240V AC
Size / Weight	Product Size 271*171.5*55mm, Net Weight 0.7kg
Packing List	LCD Camera, AC Adapter, USB Cable, HDMI Cable
Package	Packing Box 33.5*25*9cm, 1.2Kgs, 1 set/Box



Laboratory Biological Microscope Optional Accessories

Eyepiece	WF16X/F.N.15mm A51.1502-16 WF20X/F.N.12mm A51.1502-20
Nosepiece	Backward Quintuple Nosepiece A54.1502-5
Dark Field	Dark Field Condenser, Dry, N.A.1.25 A5D.1502-D Dark Field Condenser, Immersion, N.A.1.25~1.36 A5D.1502-I
Polarizing	Polarizer & Analyzer A5P.1501
Adapter	Eyepiece Tube Adapter A55.1502-E C-Mount 1.0x A55.1502-10



◆ Dark-field Viewing

Optional Dry Dark Field Condenser A5D.1502-D, and Immersion (Oil) Dark Field Condenser, can be installed on condenser holder to get ideal dark field view.



◆ Polarizing Viewing

Optional Polarizer & Analyzer Set A5P.1501 Polarizer can be put on the light collector, Analyzer slide can be inserted into socket on nosepiece. Turn polarizer by manual, can get polarizing view for collagen, amyloid and crystal etc. double refracting specimen.





LCD and HDMI Sync Output



Opto-Edu (Beijing) Co., Ltd.

0086 13911110627

sale@optoedu.com

cnoec.com

F-1501 Wanda Plaza, No. 18 Shijingshan Road, Beijing 100043, China