



Lab Achromatic Biological Microscope Monocular Microscopes A11.0203

Our Product Introduction

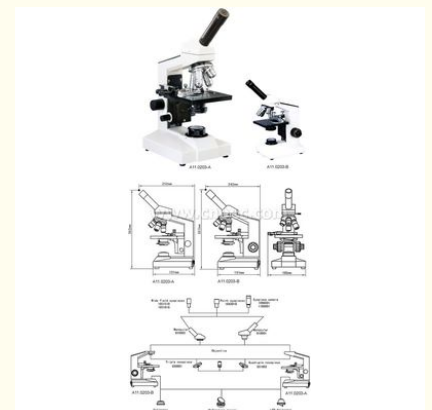
Basic Information

- Place of Origin: China
- Brand Name: CNOEC, OPTO-EDU
- Certification: CE, Rohs
- Model Number: A11.0203
- Minimum Order Quantity: 1 pc
- Price: Negotiation
- Packaging Details: Carton Packing, For Export Transportation
- Delivery Time: 5~20 Days
- Payment Terms: T/T, West Union, Paypal
- Supply Ability: 5000 pcs/ Month



Product Specification

- Applications: School
- Certification: CE
- Drawtube: Monocular
- Illumination: LED
- Product Name: Microscope
- Theory: Biological Microscope
- Highlight: **binocular biological microscope,
biological compound microscope**



for more products please visit us on cnoec.com

Product Description

Lab Achromatic Biological Microscope Monocular Microscopes A11.0203

This microscope is the conveniently operated optical instruments with excellent functions and new pattern it is very suitable for usage in medical test, teaching and microobservation in hospitals and schools.

- Equipped with achromatic objectives and wide-field eyepieces, providing clear and bright view.
- Fixed working stage
- Illumination with 110/220V 15W ordinary lamp.
- Selectable focus systems: Model A with separate coarse/fine focus system and Model B with coaxial coarse and fine focus system.

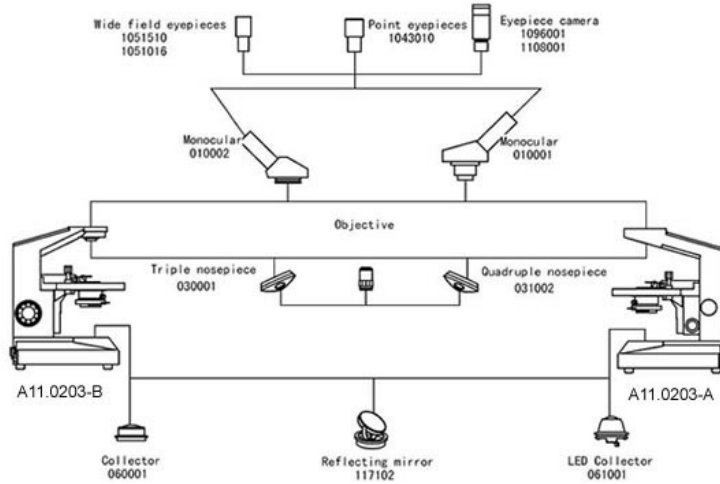
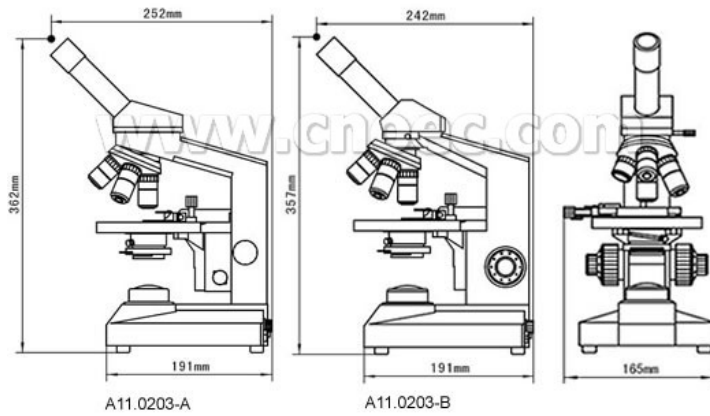
Specification	A11.0203-A	A11.0203-B
Eyepiece	WF10X(Φ18mm)	
Objective	Achromatic 4X/0.10	
	Achromatic 10X/0.25	
	Achromatic 40X/0.65(Spring)	
	Achromatic 100X/1.25(Spring, oil)	
Head	Monocular, 360° rotatable, inclination of 45°	
Focus System	Separate coarse/fine system focus, Minimum division of fine focusing: 4um	Coaxial coarse/fine system focus, Minimum division of fine focusing: 4um
	Quadruple(Frontward ball bearing outer locating)	
Stage	Fixed, with slide moving holder size: 120x120mm, moving range 70x30mm	
Abbe Condenser	N.A.1.25 spiral adjustment	
Filter	Blue filter	
	Frosted filter	
Collector	For incadescent lamp	
Light source	220V/110V 20W, Incandescent lamp	
Optional Accessories		
		Item No.
Eyepiece	Wide field WF16X/11mm	A51.0203-16A
	Pointer eyepiece 10x/18mm	A51.0204
Nosepiece	Triple nosepiece(Frontward ball bearing outer locating)	A54.0201
Filter	Green filter	A51.0209-2
	Yellow filter	A51.0209-3
Light Source	Fluorescent lamp, 5W,110V/220V	A56.0202-1
	LED illumination,high brightness white	A56.0204-1
	Transformer for LED Input: 230V~50/60HZ, Output: 9V,500mA	A56.0205-1
	Transformer for LED Input: 110V~50/60HZ, Output: 9V,500mA	A56.0205-2
	Reflecting mirror,Plane-concave reflecting mirror with stand	A56.0206



A11.0203-A



A11.0203-B



Opto-Edu (Beijing) Co., Ltd.

☎ 0086 13911110627 ✉ sale@optoedu.com 🌐 cnoec.com

F-1501 Wanda Plaza, No. 18 Shijingshan Road, Beijing 100043, China