



## Bright / Dark Field Jewelry Microscope With 0.67x - 4.5x A24.0901

Our Product Introduction

### Basic Information

- Place of Origin: China
- Brand Name: CNOEC, OPTO-EDU
- Certification: CE,
- Model Number: A24.0901
- Minimum Order Quantity: 1 pc
- Price: FOB \$1~1000, Depend on Order Quantity
- Packaging Details: Carton Packing, For Export Transportation
- Delivery Time: 5~20 Days
- Payment Terms: T/T, West Union, Paypal
- Supply Ability: 5000 pcs/ Month



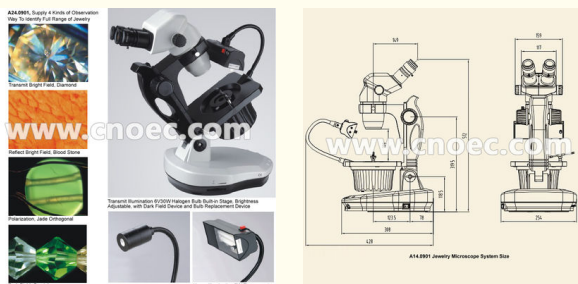
### Product Specification

- Applications: Diamond, Gems
- Certification: CE
- Illumination: Halogen Lamp, LED
- Magnification: 20X
- Theory: Jewelry Microscope
- Highlight: diamond microscope, gemological microscope



for more products please visit us on cnoec.com

### More Images



## Product Description

### Bright / Dark Field Jewelry Microscope With 0.67x - 4.5x A24.0901

A24.0901 Jewelry Microscope 0.67~4.5x, has specially designed according to jewelry work. Fully meet the appraisal needs of all kinds of diamonds, crystals, gems and other jewelries.

- 0.67~4.5x Zoom Lens, with WF10x/22mm Eyepiece,
- Total Optical Magnification 6.7~45x
- Professional Jewelry Microscope Stand, With Base Rotating and Inclination Adjustable
- Bright Field Transmit, Reflect, Polarizing and Dark Field Observation
- Upper Illumination 7W Fluorescent or 1W LED, Transmit Illumination 6V30W Halogen Lamp
- Fully Coated Optical System, Sharp & Clear Image

#### A24.0901 Jewelry Microscope, 0.67x-4.5x Specification

Observation Ways	Bright Field Transmit, Reflect, Polarizing and Dark Field Observation	
Head	Binocular, 45° Inclined, 360° Rotatable, +/-5° Diopter Adjustable, Interpupillary Adjustment 54~75mm	
Zoom Range	0.67~4.5x	
Zoom Ratio	1:6.7	
Eyepiece	WF10x/22mm, Both with Eye-cup	
Magnification	6.7~45x, Up to 2~225x with Auxiliary Lens	
Working Distance	100mm, With Standard 1x Lens. Up to 26~287mm With Auxiliary Lens	
Gem Clamp	Wire Clamp For Bigger Objects, Flat Clamp For Smaller Objects	
Stand	Professional Jewelry Microscope Stand, With Base Rotating and Inclination Adjustable, with Built-in Dark Field, Polarizing Device	
Illumination	Upper Illumination 7W Fluorescent or 1W LED Transmit Illumination 6V30W Halogen Lam	
<b>A24.0901 Jewelry Microscope, 0.67x-4.5x Optional Accessories</b>		
Eyepiece	WF15x/15mm	A51.0923-15
	WF20x/10mm	A51.0923-20
	WF25x/9mm	A51.0923-25
Auxiliary Lens	0.3x, W.D. 287mm	A52.0928-03
	0.4x, W.D. 217mm	A52.0928-04
	0.5x, W.D. 177mm	A52.0928-05
	0.75x, W.D. 117mm	A52.0928-75
	1.5x, W.D. 47mm	A52.0928-15
	2.0x, W.D. 26mm	A52.0928-20



A24.0901 Jewelry Microscope



WF10x/22mm High Point, Diopter Adjustable Eyepiece



Auxiliary Lens 0.5x, 0.75x, 1.0x, 1.5x, 2.0x



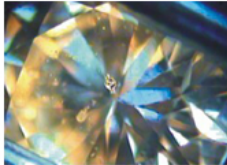
Polarizer and Analyzer



Gem Clamp



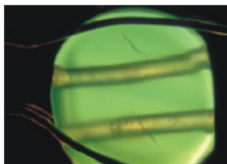
A24.0901 Jewelry Microscope, 4 Kinds Observation Way To Identify Full Range of Jewelry



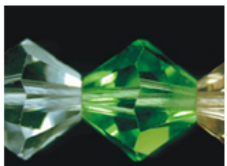
Transmit Bright Field, Diamond



Reflect Bright Field, Blood Stone



Polarization, Jade Orthogonal



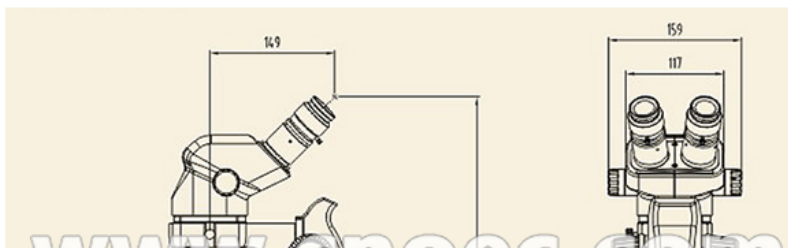
Dark Field, Crystal

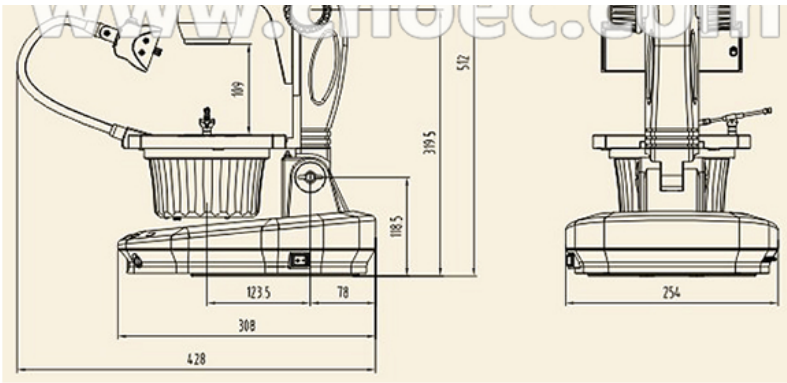


Transmit Illumination 6V30W Halogen Bulb Built-in Stage, Brightness Adjustable, with Dark Field Device and Bulb Replacement Device



Upper Illumination 1W LED 7W Fluorescent





**A24.0901 Jewelry Microscope System Size**



WF10x/22mm High Point, Diopter Adjustable Eyepiece



Auxiliary Lens 0.5x, 0.75x, 1.0x, 1.5x, 2.0x



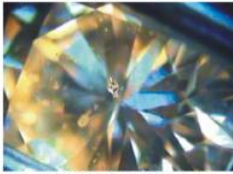
Polarizer and Analyzer



Gem Clamp



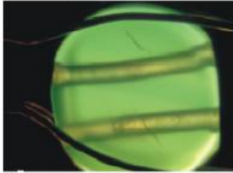
A24.0901, Supply 4 Kinds of Observation Way To Identify Full Range of Jewelry



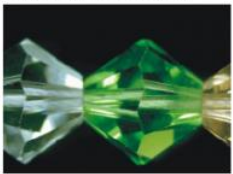
Transmit Bright Field, Diamond



Reflect Bright Field, Blood Stone



Polarization, Jade Orthogonal



Dark Field, Crystal



Transmit Illumination 6V30W Halogen Bulb Built-in Stage, Brightness Adjustable, with Dark Field Device and Bulb Replacement Device

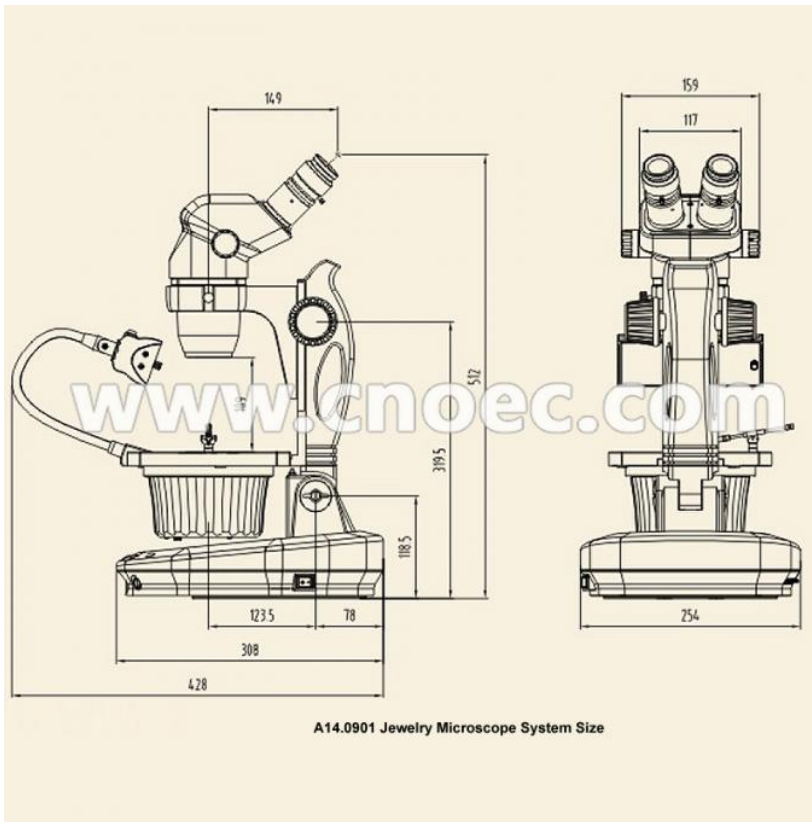
www.cnoec.com



Upper Illumination 1W LED



Upper Illumination 7W Fluorescent



A14.0901 Jewelry Microscope System Size



Opto-Edu (Beijing) Co., Ltd.

☎ 0086 13911110627

✉ sale@optoedu.com

🌐 cnoec.com

F-1501 Wanda Plaza, No. 18 Shijingshan Road, Beijing 100043, China