



Coaxial Coarse Laboratory Binocular Microscope 40X For High School Rohs A12.2602

Our Product Introduction

Basic Information

- Place of Origin: China
- Brand Name: CNOEC, OPTO-EDU
- Certification: CE, Rohs
- Model Number: A12.2602
- Minimum Order Quantity: 1 pc
- Price: FOB \$1~1000, Depend on Order Quantity
- Packaging Details: Carton Packing, For Export Transportation
- Delivery Time: 5~20 Days
- Payment Terms: T/T, West Union, Paypal
- Supply Ability: 5000 pcs/ Month



Product Specification

- Applications: School|Laboratory
- Certification: CE|Rohs
- Drawtube: Binocular
- Illumination: LED
- Max Magnification: 1000X
- Theory: Biological Microscope
- Highlight: **binocular compound microscope, wide field microscope**



for more products please visit us on cnoec.com

Product Description

Coaxial Coarse Laboratory Binocular Microscope For Home A12.2602

Description:

A12.2602 Laboratory Microscope, new design with high quality optical system, supplying clear image, is good to be used in laboratory research work or school education field.

- Infinity optical system
- Kohler illumination available
- Polarizing, phase contrast attachment optional



OPTO-EDU (BEIJING) CO., LTD.

F-1501 Wanda Plaza, No.18 Shijingshan Road, Beijing 100043, China
Tel:+8610 88696020 Fax:+8610 88696085

A12.2602

Laboratory Biological Microscope





Trinocular Head Light Split Optional Between Switch E100:P0/E0:P100 And Fixed E80:P20
In Fixed Light Split, Eyepiece 80% : Photo 20% User Can View Image At Same Time In Both Path
In Switch Light Split, Eyepiece 100%:Photo 0% / Eyepiece 0%:Photo 100%, Camera Can Have 100% Light For Photo Capture.



Quintuple, Backward

Large Size High Precision Quintuple Nosepiece, With Polarizing Analyzer Slot, Infinity Plan Objective 4x,10x,20x,40x,100x Available



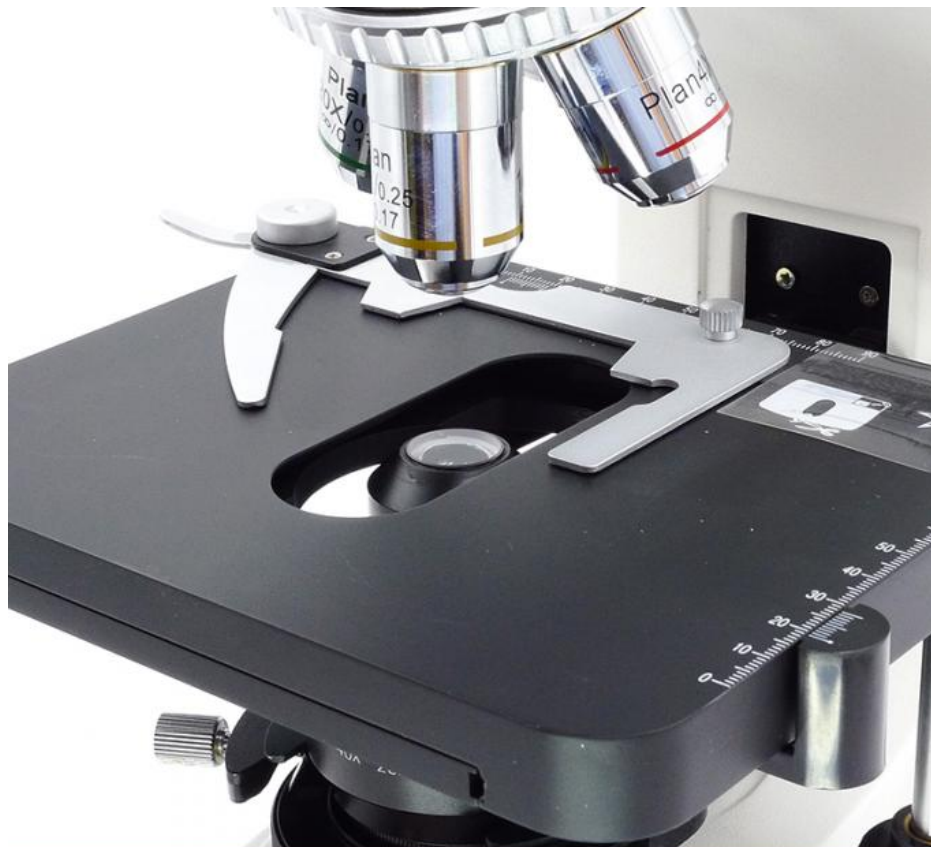
Abbe Condenser N.A.1.25, Iris Diaphragm
Rack & Pinion Up/Down

Abbe Condenser N.A.1.25

Iris Diaphragm, Rack & Pinion Up/Down, With Filter Holder, With Iris Scale For 4x10x20x40x100x Marked On Condenser.



3W LED Koehler Illumination, Field Diaphragm



Mechanical Stage Size 185 mm × 145mm

Working Stage

Mechanical Stage Size 185 mm×145mm, Travel 76mmX52mm
Scale: 0.1mm, Double Slide Holder



Powered By Safety Low Voltage Charger, Input Wide Voltage 100V-240V, Output 5V1A, Support Power Bank Supply For Outdoor Use

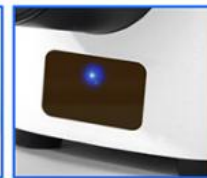
Product Accessories



A51.2602-1020
WF10X/20mm
(High Eyepoint)



A52.2606
Infinity Plan Objective



A56.2660
ECO, Auto
Power Off System



A56.2614-07a
Swing-out Condenser



A56.2610-BK
Dark Field
Condenser, Dry



A56.2610-BKW
Dark Field
Condenser, Immersion



A55.2610
Digital Eyepiece
Camera Adapter



A5P.2601-BK Analyzer + Polarizer Set



A55.2601-10
C-Mount 1.0x,
Focus Adjustable



A55.2601-75
C-Mount 0.75x,
Focus Adjustable



A5C.2602 Simple Phase Contrast Attachment



A54.2601-S10
Rackless (Integrated)
Mechanical Stage



A55.2601-05
C-Mount 0.5x,
Focus Adjustable



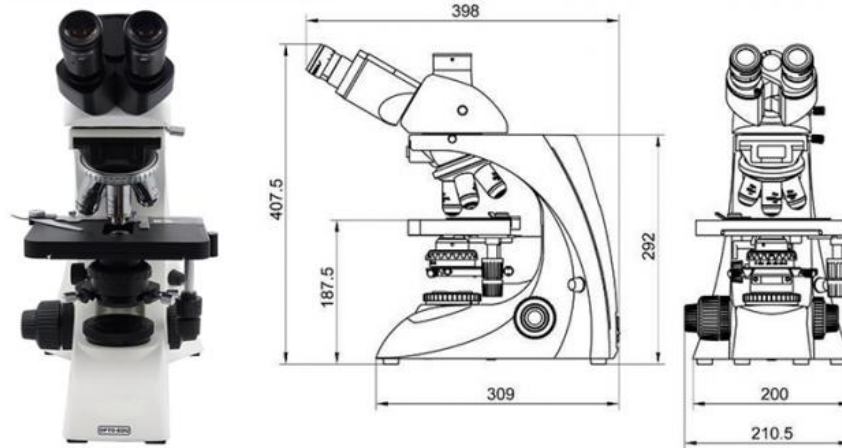
**A5C.2603 Turret
Phase Contrast Attachment**

Items	A12.2602 Laboratory Biological Microscope Specification	-B	-T	Cata. No.
Head	Seidentopf Binocular Head Inclined 30°, Rotatable 360°, Interpupillary Distance 48-75mm	●	○	A53.2622-B
	Seidentopf Trinocular Head Inclined 30°, Rotatable 360°, Interpupillary Distance 48-75mm, Light Split Switch E100:P0/E0:P100	○	●	A53.2622-T
	Seidentopf Trinocular Head Inclined 30°, Rotatable 360°, Interpupillary Distance 48-75mm, Light Split Fixed E80:P20		○	A53.2622-Ta
Eyepiece	WF10X/20mm (High Eyepoint)	●●	●●	A51.2602-1020
Nosepiece	Quintuple, Backward	●	●	A54.2610-N01
Infinity Plan Objective	PLAN 2.5X/0.07, W.D.=8.47mm	○	○	A52.2606-2.5
	PLAN 4X/0.10, W.D.=12.10mm	●	●	A52.2606-4
	PLAN 10X/0.25, W.D.=4.64mm	●	●	A52.2606-10
	PLAN 20X/0.40(S), W.D.=2.41mm	○	○	A52.2606-20
	PLAN 40X/0.66(S), W.D.=0.65mm	●	●	A52.2606-40

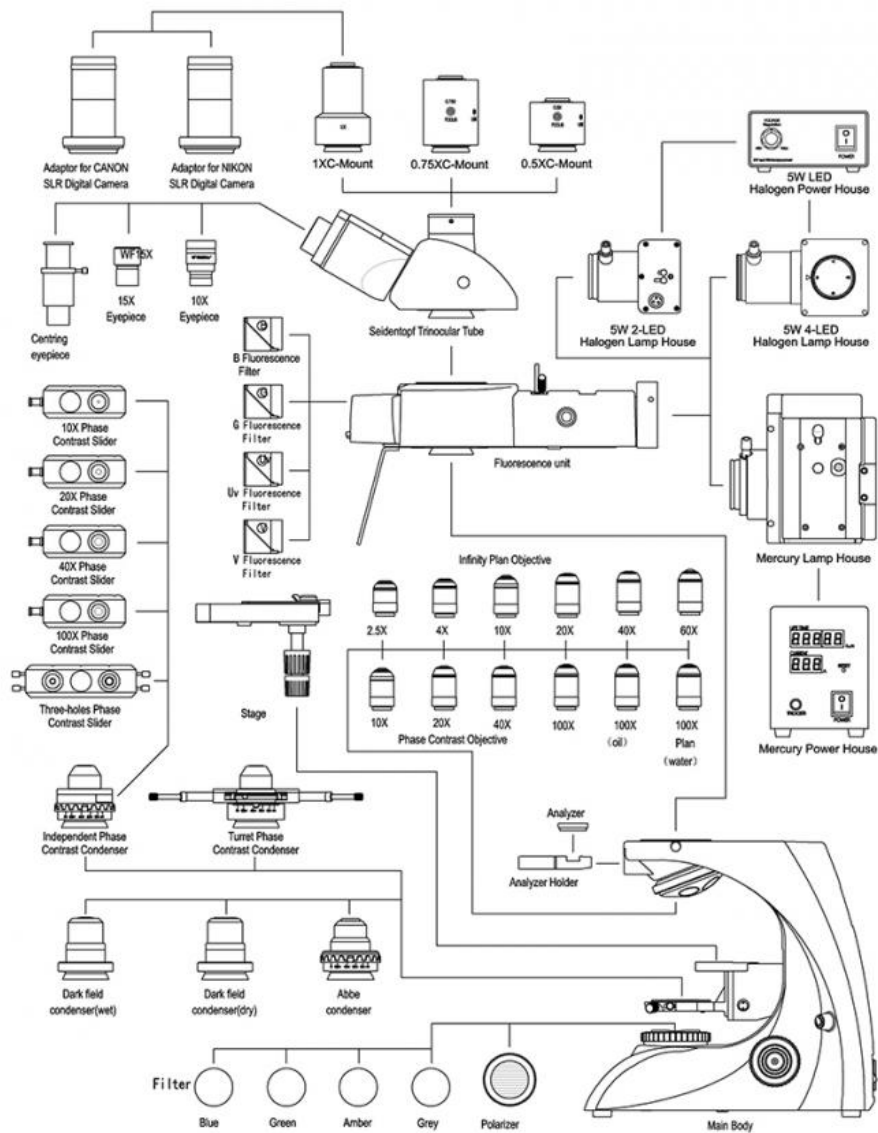
	PLAN 60X/0.80(S),W.D.=0.33mm	○	○	A52.2606-60
	PLAN 100X/1.25(S,Oil),W.D.=0.12mm	●	●	A52.2606-100
	PLAN 100X/1.15(S,Water),W.D.=0.19mm	○	○	A52.2606-100W
Working Stage	Mechanical Stage Size 185 mm×145mm, Travel 76mmX52mm, Scale: 0.1mm, Double Slide Holder	●	●	A54.2601-S01
	Rackless (Integrated) Mechanical Stage, Size 182×140mm, Travel Range 77×52mm, Double Slide Holder	○	○	A54.2601-S10
Focusing	Coaxial Coarse & Fine Focusing, Coarse Focusing Travel Range: 22mm, Fine Focusing Div. 0.002mm	●	●	
Condenser	Abbe Condenser N.A.1.25, Iris Diaphragm, Rack & Pinion Up/Down	●	●	A56.2614-01d
	Swing-out Condenser,N.A.0.9/0.13,Iris Diaphragm	○	○	A56.2614-07a
Illumination	3W LED Koehler Illumination, Field Diaphragm Powered By Safety Low Voltage Charger, Input Wide Voltage 100V-240V, Output 5V1A, Support Power Bank Supply For Outdoor Use	●	●	A56.2612-3W
	12V20W Halogen Koehler Illumination, With Field Diaphragm Power Supply Wide Voltage 100V~240V	○	○	A56.2650-20W
	6V30W Halogen Koehler Illumination, With Field Diaphragm Power Supply Wide Voltage 100V~240V	○	○	A56.2650-30W
Field Diaphragm	For Kohler Illumination	●	●	A56.2615-BK
Power	ECO, Auto Power Off System. Power Off Automatically Upon User Leaving 10 Minutes, Power On Automatically Upon User Approaching Detected, This Function Can Be Shut Down Manually	○	○	A56.2660
Filter	Dia.45mm, Blue	○	○	A56.2616-45B
	Dia.45mm, Green	○	○	A56.2616-45G
	Dia.45mm, Yellow	○	○	A56.2616-45A
Dark Field	Dark Field Condenser, Dry, N.A.0.83-0.91, For 4x10x40x Objective	○	○	A5D.2610-BK
	Dark Field Condenser, Immersion, N.A.1.3, For 100x Objective	○	○	A5D.2610-BKW
Polarizing	Analyzer + Polarizer Set	○	○	A5P.2601-BK
Phase Contrast	Infinity Plan Phase Contrast Objective 10x + Phase Contrast Slide 10x + Phase Contrast Condenser + Telescope 11x + Green Filter	○	○	A5C.2602-10
	Infinity Plan Phase Contrast Objective 20x + Phase Contrast Slide 20x + Phase Contrast Condenser + Telescope 11x + Green Filter	○	○	A5C.2602-20
	Infinity Plan Phase Contrast Objective 40x + Phase Contrast Slide 40x + Phase Contrast Condenser + Telescope 11x + Green Filter	○	○	A5C.2602-40
	Infinity Plan Phase Contrast Objective 100x + Phase Contrast Slide 100x + Phase Contrast Condenser + Telescope 11x + Green Filter	○	○	A5C.2602-100
	Turret Phase Contrast Attachment Infinity Plan Phase Contrast Objective 10x20x40x100x, Turret Phase Contrast Condenser 5-Holes, Telescope 11x, Green Filter	○	○	A5C.2603-BK
Fluorescence	Upgrade to A16.2602-T2 Fluorescence Microscope With A5F.2601-2: B,G China Fluorescent Set 100W Mercury Lamp House 100W Mercury Power Box, Digital Disp. 6 Holes Disc Fluorescent Unit Ultraviolet Protection Barrier Centering Objective China 100W Mercury Lamp 2 pcs		○	A5F.2601-2
Fluorescence	Upgrade to A16.2602-T4 Fluorescence Microscope With A5F.2601-4: B,G,U,UV China Fluorescent Set 100W Mercury Lamp House 100W Mercury Power Box, Digital Disp. 6 Holes Disc Fluorescent Unit Ultraviolet Protection Barrier Centering Objective China 100W Mercury Lamp 2 pcs		○	A5F.2601-4
	Upgrade to A16.2602-LT2 Fluorescence Microscope With A5F.2602-2: B,G China Fluorescent Set 6 Holes Disc Fluorescent Unit 5W LED Lamp House 5W LED Power Box Ultraviolet Protection Barrier		○	A5F.2602-2
	Upgrade to A16.2602-LT4 Fluorescence Microscope With A5F.2602-4: B,G,U,UV China Fluorescent Set 6 Holes Disc Fluorescent Unit 5W LED Lamp House 5W LED Power Box Ultraviolet Protection Barrier		○	A5F.2602-4
Adapter	C-Mount 0.5x, Focus Adjustable	○	○	A55.2601-05
	C-Mount 0.75x, Focus Adjustable	○	○	A55.2601-75
	C-Mount 1.0x, Focus Adjustable	○	○	A55.2601-10
	Digital Eyepiece Camera Adapter, Dia. 23.2mm/25mm	○	○	A55.2610
Package	Carton Size 542×265×350mm, 1 Unit/Ctn			
Weight	Gross Weight: 12 kgs, Net Weight: 10 kgs			

Note: "●"In Table Is Standard outfits, "○" Is Optional Accessories

Product Size(mm)



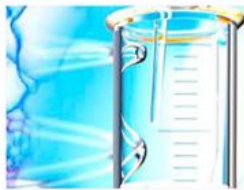
General Layout Diagram



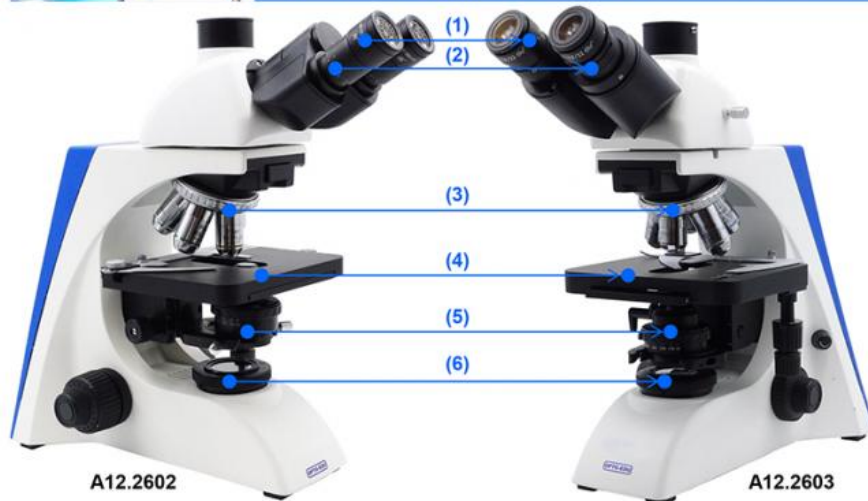
Product Multi-angle



A12.2602 Upgraded To A12.2603



- (1) Head Upgrade To Large Size With Eyepiece Tube Dia.30mm
- (2) Eyepiece Upgrade To Dia.30mm Diopter Adjustable
- (3) Standard Objectives Upgrade To 5 pcs With 20x
- (4) Working Stage Upgrade To Large Size Rackless 182x140mm
- (5) Condenser Upgrade To Swing Out Condenser N.A.0.9/0.13
- (6) Light Source Upgrade to 6V30W High Brightness + Blue Filter



Opto-Edu (Beijing) Co., Ltd.

☎ 0086 13911110627

✉ sale@optoedu.com

🌐 cnoec.com

F-1501 Wanda Plaza, No. 18 Shijingshan Road, Beijing 100043, China