



Binocular Head Compound Optical Microscope Infinity Plan Microscopes A12.0907-B

Our Product Introduction

for more products please visit us on cnoec.com

Basic Information

- Place of Origin: China
- Brand Name: CNOEC, OPTO-EDU
- Certification: CE, Rohs
- Model Number: A12.0907-B
- Minimum Order Quantity: 1 pc
- Price: FOB \$1~1000, Depend on Order Quantity
- Packaging Details: Carton Packing, For Export Transportation
- Delivery Time: 5~20 Days
- Payment Terms: T/T, West Union, Paypal
- Supply Ability: 5000 pcs/ Month

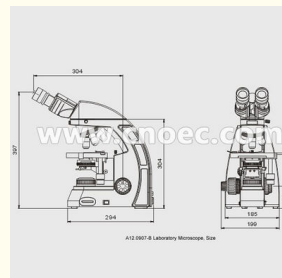


Product Specification

- Applications: Laboratory
- Certification: CE
- Drawtube: Binocular, Trinocular
- Illumination: LED
- Max Magnification: 1000X
- Product Name: Compound Optical Microscope
- Theory: Biological Microscope
- Highlight: **binocular compound microscope, optical compound microscope**



More Images



Product Description

Binocular Compound Optical Microscope Infinity Plan Microscopes A12.0907-B

Description:

- Infinity Plan Optical System
- Variety of Illuminator Methods Available
- Disc Phase Contrast, Polarizing, Dark Field Optional
- Fluorescent Attachment Optional
- Sensitive Dimming System
- Safty Handle Design
- Kohler Illumination Condenser

Specifications:

A12.0907-B Laboratory Microscope		
Head	Binocular, 30° Inclined, Interpupillary Distance 50-75mm	
Eyepiece	PL10x/20mm, Wide Field, High Eye Point, Diopter Adjustable +/-5 Degree	
Objective	Infinity Plan Achromatic 4x/0.10, 10x/0.25, 40x/0.65, 100x/1.25	
Nosepiece	Backward Quadruple	
Focusing	Low Position Coaxial Coarse & Fine Focusing Knob, with Safty Limitation and Tension Adjustment Ring. Coarse Range 25mm, Fine Precision 0.002mm	
Working Stage	Double Layer Mechanical Stage 150*140mm, Moving Range 76*50mm, Precision 0.1mm	
Condenser	Kohler N.A. 1.25, with Socket for Phase Contrast and Dark Field Slides, Center Fixed	
Light Source	3W LED, Intensity Adjustable, Center Fixed	
Power	90~240V Wide Range Power Supply	
A12.0907-B Laboratory Microscope Optional Accessories		
Head	Trinocular, 30° Inclined, Interpupillary Distance 50-75mm	A53.0907-T30R
Eyepiece	PL10x/22mm, Wide Field, High Eye Point, Diopter Adjustable +/-5 Degree	A51.0904-1022T
Objective	Infinity Plan Achromatic 20x/0.50	A52.0906-20
Nosepiece	Backward Quintuple	A54.0930-BS5
Filter	Blue, Dia.45	A56.0935-XYB
	Yellow, Dia.45	A56.0935-XYX
	Green, Dia.45	A56.0935-XYG
	Netural, Dia.45	A56.0935-XYF
Adapter	C-Mount 1.0x, Focus Adjustable	A55.0925-1
	C-Mount 0.5x, Focus Adjustable , for 1/2 CCD	A55.0925-1/2
	C-Mount 0.35x, Focus Adjustable, for 1/3 CCD	A55.0925-1/3
	Photo Adapter with PK or MD mount, with 3.2x Photo Eyepiece	A55.0901-1
	Professional Photo C Mount, with Photo Eyepiece	A55.0910
	Trinocular Head for Fluorescent View, 30° Inclined, Interpupillary Distance 50-75mm	A53.0907-T30RFL
		4x/0.13, WD=15.3mm

Fluorescence	Infinity Plan Semi Apochromatic Fluorescence Objective	10x/0.30,WD=8.7mm	A5F.0931-10
		20x/0.50,WD=2.5mm	A5F.0931-20
		40x/0.75,WD=0.72mm	A5F.0931-40
		100x/1.30,WD=0.21mm	A5F.0931-100
Dark Field	Dark Field Slide, for 4x~40x Objective		A5D.0915-K
Polarizing	Polarizer		A5P.0911-P
	Analyser		A5P.0911-A
Phase Contrast	Centering Telescope, Dia.30mm		A5C.0910-30
	Phase Contrast Slide, for 10x, 40x Infinity Objective		A5C.0915-IP1
	Phase Contrast Slide, for 20x,100x Infinity Objective		A5C.0916-IP2
	N.A.1.25 Kohler Illumination Turnplate Phase Contrast Condenser Set, For 10x,20x,40x,100x Phase Contrast Observation		A5C.0912-KP
	N.A.1.25 Kohler Illumination Turnplate Phase Contrast Condenser + Dark Field Condenser Set, For 10x,40x,100x Phase Contrast Observation and Dark Filed Observation		A5C.0912-KPD
	Infinity Plan Phase Contrast Objective 10x/0.25, W.D.=4.70mm		A5C.0937-10
	Infinity Plan Phase Contrast Objective 20x/0.50, W.D.=1.75mm		A5C.0937-20
	Infinity Plan Phase Contrast Objective 40x/0.65, W.D.=0.72mm		A5C.0937-40
Infinity Plan Phase Contrast Objective 100x/1.25, W.D.=0.15mm		A5C.0937-100	





www.cnoec.com



LPlan Series Infinity Plan Achromatic Objectives, designed for observing lab pathology and biological cell slices, present sharp and contrast image, work well even in fluorescence observation



Plan-Ph series Infinity Phase Contrast Objectives, improve clarity and contrast, especially suitable to observe colorless or light-colored cells.



High Powered Single LED Cold Light Illuminator
It supply stable brightness and temperature difference never occurred even long time work. Plug-type light system in side of base for easily replacing bulb.



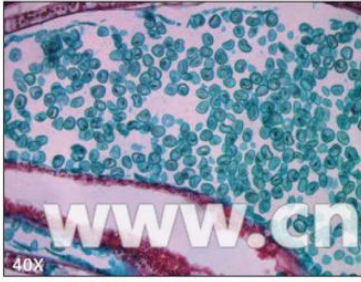
Kohler Illumination Condenser
N.A. 1.25 Kohler Illumination Condenser, with socket for phase contrast slide and dark field accessories



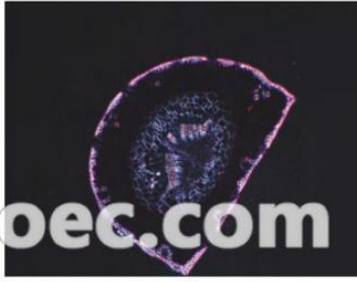
Safe Carrying Design
The hole on the back of the body make it safe and easy to carry the microscope anywhere



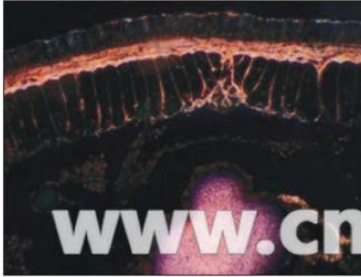
Phase Contrast Observation
To insert a simple phase contrast flapper into the slot of condenser, then depending on the phase contrast objective, push the matching phase contrast ring into the optical path, phase contrast can be observed, simple and practical.



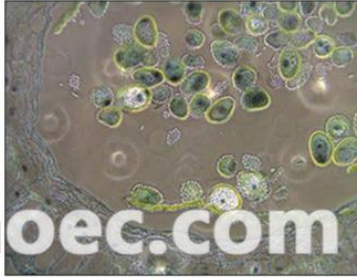
Bright Field, 40x, Male Cestode Strobila



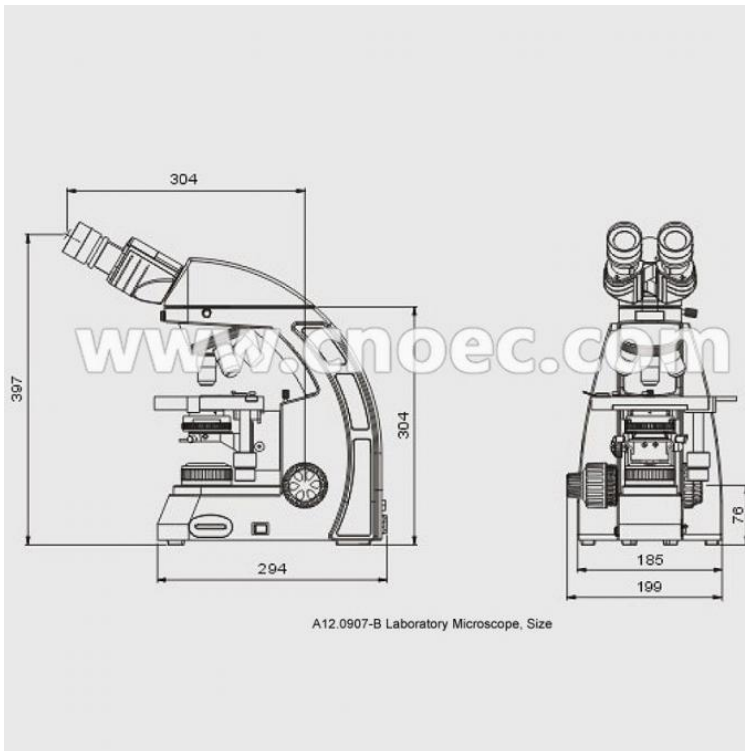
Polarizing, 40x, Pine Needles Orthogonal



Dark Field, 10x, Earthworm Cross Section



Phase Contrast, 40x, Lilium Pollen



A12.0907-B Laboratory Microscope, Size



Opto-Edu (Beijing) Co., Ltd.



0086 13911110627



sale@optoedu.com



cnoec.com

F-1501 Wanda Plaza, No. 18 Shijingshan Road, Beijing 100043, China