



Dual View Multi Viewing Microscope

Basic Information

- Place of Origin: China
- Brand Name: CNOEC, OPTO-EDU
- Certification: CE, Rohs
- Model Number: A17.1026-A
- Minimum Order Quantity: 1 pc
- Price: FOB \$1~1000, Depend on Order Quantity
- Packaging Details: Carton Packing, For Export Transportation
- Delivery Time: 5~20 Days
- Payment Terms: T/T, West Union, Paypal
- Supply Ability: 5000 pcs/ Month



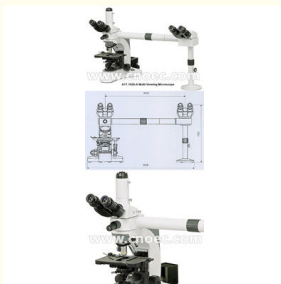
A17.1026-A Multi-Viewing Microscope

Product Specification

- Application: Educational|school
- Certification: CE|Rohs
- Illumination: LED
- Magnification: 40x - 1000x
- Product Name: Microscope
- Theory: Multi Viewing Microscope
- Highlight: dual head microscope, Dual View Microscope



More Images

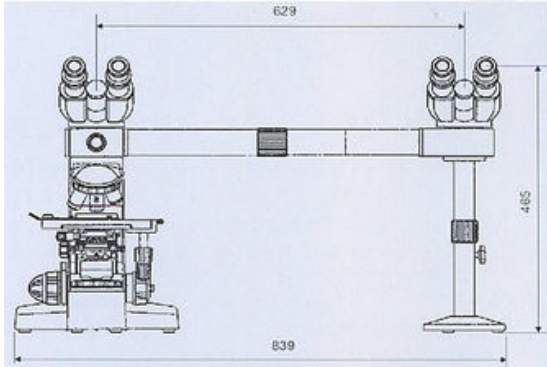


Product Description

Specifications:

A17.1026-A Multi-Viewing Microscope, 2 Position		
Optical System	Infinite Optical System	
Head	1 pcs Trinocular Head, 30°Inclined, 360° Rotatable, Interpupillary Distance 48-75mm 1 pcs Binocular Head, 30°Inclined, 360° Rotatable, Interpupillary Distance 48-75mm	
Eyepiece	WF10X, 4 pcs	
Objective	Infinity Plan Achromatic 4x, 10x, 40x(s), 100x(s, oil)	
Nosepiece	Reversed Quadruple Revolving Nosepiece	
Stage	Double Layers Mechanical Stage 185x142mm, Moving Range 75x55mm	
Focusing	Coaxial Coarse & Fine Focusing Knobs, Fine division 0.002mm	
Condenser	Swing Abbe Condenser N.A.0.9/0.25	
Light Source	External Kohler Illumination, Halogen Lamp 12V50W	
Pointer	Green LED Pointer, Brightness Adjustable	
A17.1026-A Multi-Viewing Microscope, Optional Accessories		
Adapter	1.0x C-Mount	A55.1002-10
	0.5x C-Mount	A55.1002-05





Opto-Edu (Beijing) Co., Ltd.

☎ 0086 13911110627

✉ sale@optoedu.com

🌐 cnoec.com

F-1501 Wanda Plaza, No. 18 Shijingshan Road, Beijing 100043, China